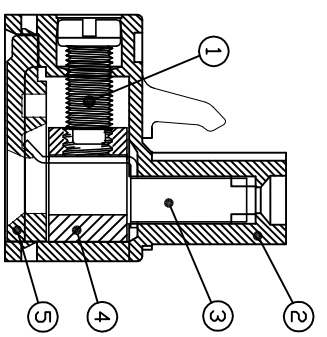
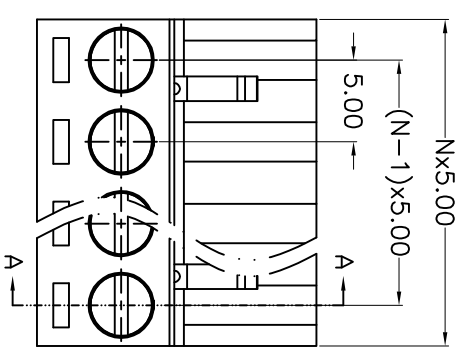
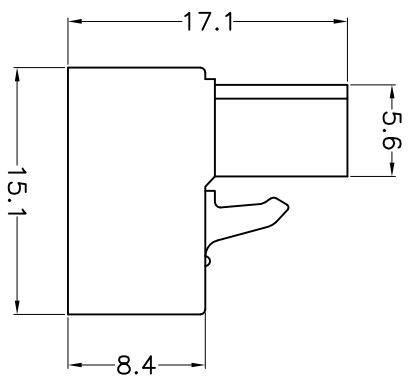
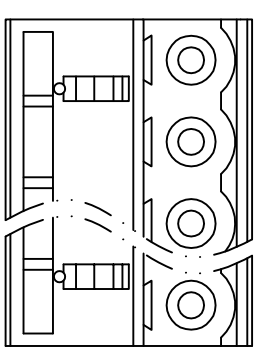
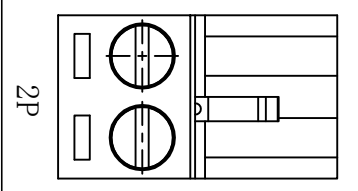
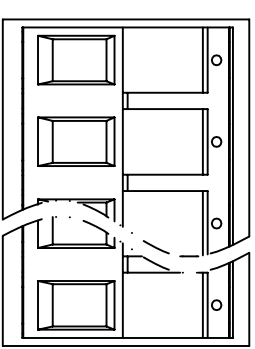


| REV. | DESCRIPTION | DATE | DRAFTER | APPROVER |
|------|-------------|-----------|---------|----------|
| V1.0 | DWG.REL | 2024.9.22 | ZHANG | JIN |



SECTION A-A

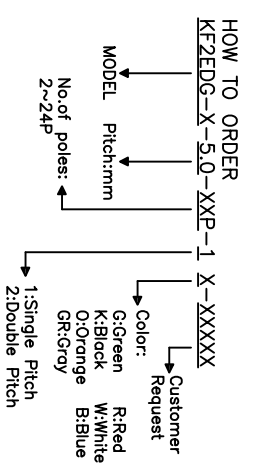


- Material
 - ①Screw : M3.0 steel, Zinc plated, *- slot type
 - ②Housing : PA66, UL94V-0
 - ③Contact : Copper alloy, Tin plated
 - ④Clamp : Copper alloy, Ni plated
 - ⑤Cover : PA66, UL94V-0

- Electrical
 - UL IEC
 - Rated voltage : 300V 320V
 - Rated current : 15A 20A
 - Contact resistance : 20mΩ(Max)
 - Insulation resistance: 500MΩ/DC500V
 - Withstanding Voltage : AC2000V/1min
 - Wire range: 28-12AWG 2.5mm²

- Mechanical
 - Operating temperature: -40°C~+105°C
 - Soldering temperature: 250°C±5/5sec
 - Torque: 0.5N.m (4.43Lb.in)
 - Strip length: 7mm

• Conform to REACH and RoHS



| Pitch range | Nominal dimension range | PROJECTION |
|-------------|-------------------------|------------|
| >0 | >0 | 0.1/10 |
| ~6 | ~30 | ∠ |
| ~10 | ~60 | ∠ |
| ~24 | ~100 | ∠ |
| ±0.15 | ±0.30 | ±2° |
| | ±0.50 | |
| | ±0.70 | |
| | ±1.00 | |
| | ±1.30 | |

| DRAWING TYPE | SCALE | SHEET | 1 OF 1 | TITLE |
|------------------|-------|-------|--------|---------------------|
| CUSTOMER DRAWING | 1:1 | 1 | 1 | KF2EDG-X-5.0-XXP-1X |
| DRAWING NO. | | | | SHEET SIZE |
| | | | | A4 |
| | | | | SERIES |
| | | | | KF2EDG-X |

| DRAWING NO. | SCALE | SHEET | 1 OF 1 |
|-------------|-------|-------|--------|
| W10000642 | 1:1 | 1 | 1 |

DF 慈溪市凯峰电子有限公司
CIXI KAIFENG ELECTRONICS CO.,LTD