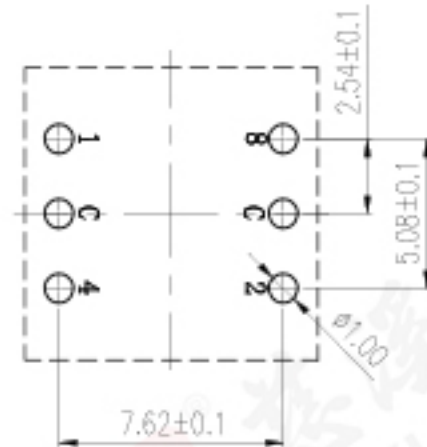
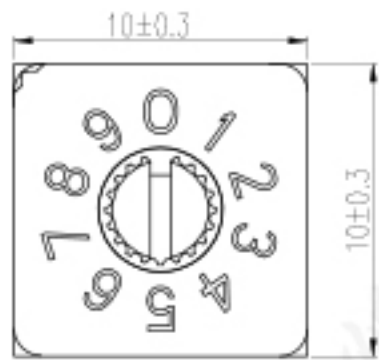


REV	ECN	CONTENT	CHECK	DATE
V0.0		正式发行	PBB	2023.10.20



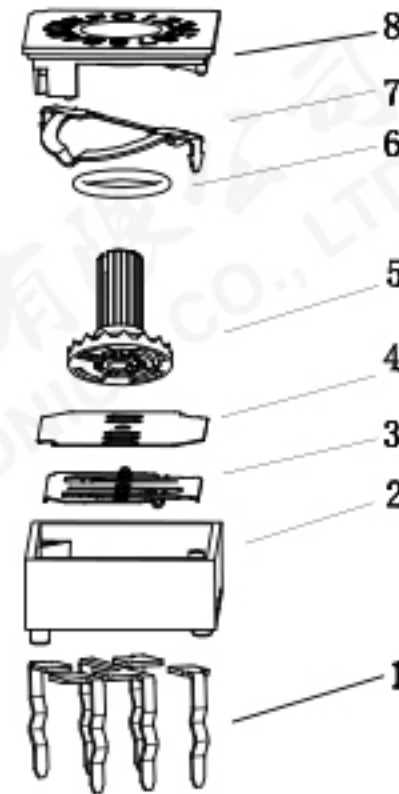
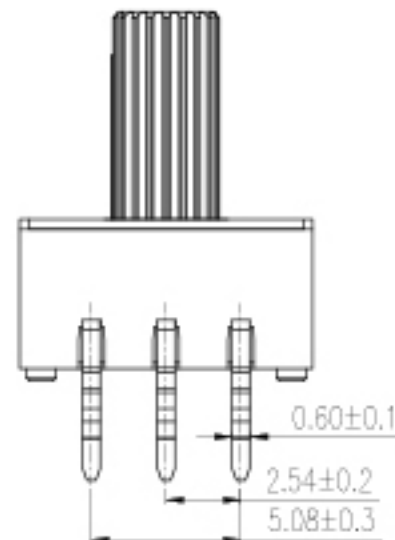
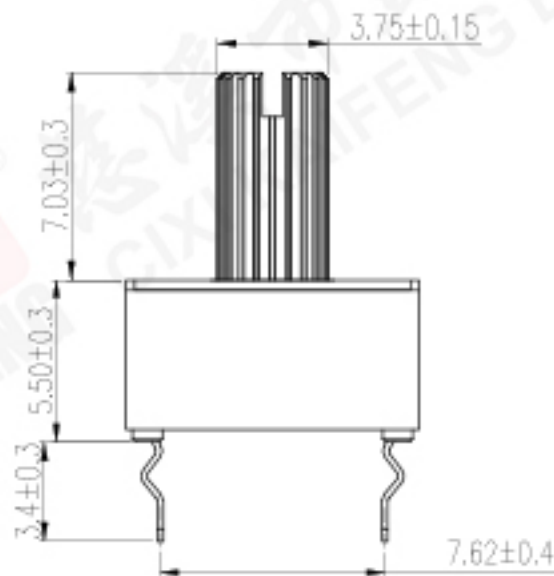
P.C.B.LAYOUT

SPECIFICATION:

- Rating:
 - Switching: 25mA, 24VDC
 - Non-Switching: 100mA, 50VDC
- Contact Resistance:
 - Initial: 100mΩ max
 - After Life Test: 200mΩ max
- Insulation Resistance: 100MΩ min/250 VDC
- Withstand Voltage: 250VAC for 1 minute
- Operation Force: 750gf.cm max
- Mechanical Life: min 10000 steps
- Operation Temperature: -40℃~+80℃
- Storage Temperature: -40℃~+85℃
- RoHS Compliance

SOLDERING INFORMATION:

Wave Soldering: 250±10℃, 5S max
 Manual Soldering: 30W iron, 320±5℃, 3S max
 Keep in "off" position during soldering



● ON
○ OFF

TYPE	POSITION	CODE
10 STEP	0 0 0	1 2 4 8
	9 1 F	○ ○ ○ ○
	8 2 E	○ ● ○ ○
	7 3 D	● ● ○ ○
	6 4 C	○ ○ ● ○
	5 5 B	○ ○ ● ●
	4 6 A	○ ○ ● ●
	3 7 9	○ ● ● ●
	2 8 8	○ ● ● ●
	1 9 7	○ ● ● ●
16 STEP	A 6	○ ○ ● ○
	B 5	○ ○ ● ●
	C 4	○ ○ ● ●
	D 3	○ ○ ● ●
	E 2	○ ○ ● ●
	F 1	○ ○ ● ●

HOW TO ORDER:
 6KF001 A-3 S 1 0 R 5-0-X X X X

A: DIP Type
 B: SMD Type

Terminals:
 4: 4X1
 3: 3X3
 2: 2X2

S: Standard(Gray)
 Y: Yellow

Special number
 O: Tube
 T: Tape&Reel

4: 4.5mm High
 5: 5.5mm High

R: Real Codes
 C: Printing Reverse

10: 10 steps
 16: 16 steps

General tolerance in mm					radii and chamfers			shorter angle side			≡		— //		
over 0.5	over 3	over 6	over 30	over 120	over 400	over 0.5	over 3	over 6	up to	over 10	over 50	≡	over 0	over 100	over 150
to 3	to 6	to 30	to 120	to 400	to 1000	to 3	to 6		10	to 50	to 120	all	to 100	to 150	
±0.15	±0.2	±0.25	±0.3	±0.5	±0.8	±0.2	±0.5	±1.0	±1°	±30'	±20'	0.5	0.2	0.3	0.5

ITEM	NAME OF PART	NO. OF PART	Q'TY	NOTE
8	Cover	Engineering plastic	1	UL94V-0
7	Positioning spring	Stainless steel	1	
6	Seal ring	Silicone	1	
5	Button	Engineering plastic	1	UL94V-0
4	Dustproof spacer	Stainless steel	1	
3	Spring	Copper alloy	1	Gold Plated
2	Base	Engineering plastic	1	UL94V-0
1	Pin	Copper alloy	1	Gold Plated

APP.	DATE	NAME	6KF001A-3S10R5-0-7		
CHK.	DATE	DWGNO.			
DWG.	DATE	SHEET	1/1	PROJECTION-METHOD	
UNITS	MM	SCALE	1:1		

DF 慈溪市凯峰电子有限公司
 CIXI KAIFENG ELECTRONICS CO., LTD