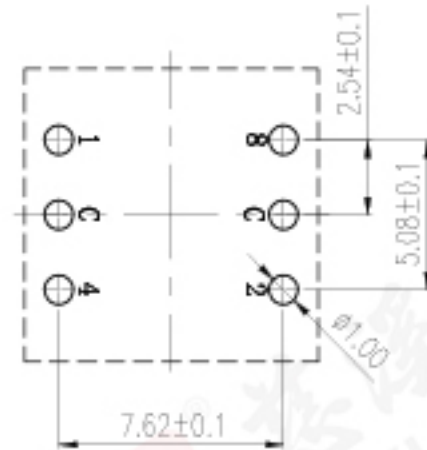
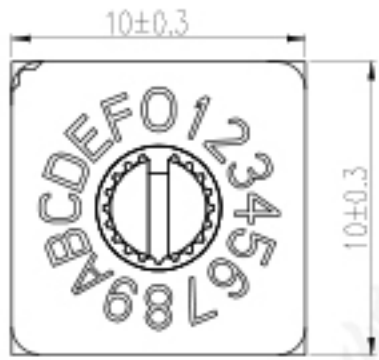


REV	ECN	CONTENT	CHECK	DATE
V0.0		正式发行	PBB	2023.10.20



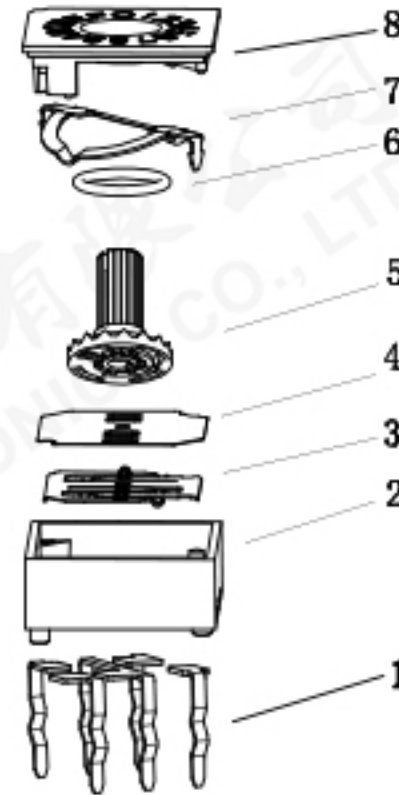
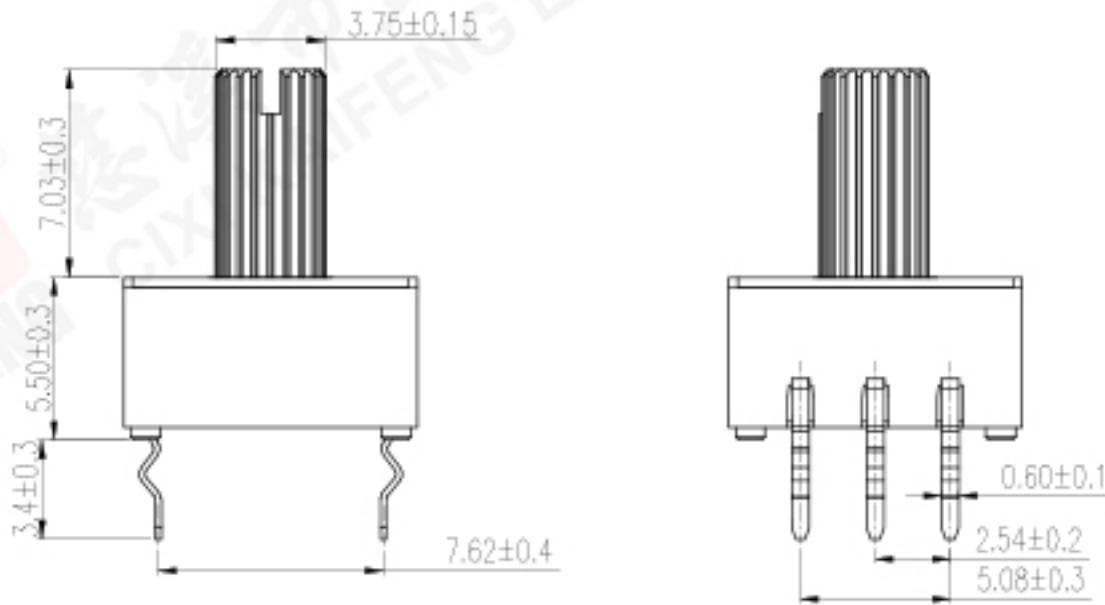
P.C.B.LAYOUT

**SPECIFICATION:**

- Rating:
  - Switching: 25mA, 24VDC
  - Non-Switching: 100mA, 50VDC
- Contact Resistance:
  - Initial: 100mΩ max
  - After Life Test: 200mΩ max
- Insulation Resistance: 100MΩ min/250 VDC
- Withstand Voltage: 250VAC for 1 minute
- Operation Force: 750gf.cm max
- Mechanical Life: min 10000 steps
- Operation Temperature: -40℃~+80℃
- Storage Temperature: -40℃~+85℃
- RoHS Compliance

**SOLDERING INFORMATION:**

Wave Soldering: 250±10℃, 5S max  
 Manual Soldering: 30W iron, 320±5℃, 3S max  
 Keep in "off" position during soldering



● ON ○ OFF		POSITION		CODE				HOW TO ORDER: 6KF001 A-3 S 1 0 R 5-0-X X X X											
TYPE		100	160	1	2	4	8	A: DIP Type B: SMD Type Terminals: 4: 4X1 3: 3X3 2: 3X2 S: Standard (Gray) Y: Yellow R: Real Codes C: Printing Reverse Special number 0: Tube T: Tape & Reel 4: 4.5mm High 5: 5.5mm High 10: 10 steps 16: 16 steps											
10 STEP	0	0	0	○	○	○	○												
	9	1	F	○	○	○	○												
	8	2	E	○	○	○	○												
	7	3	D	○	○	○	○												
	6	4	C	○	○	○	○												
	5	5	B	○	○	○	○												
	4	6	A	○	○	○	○												
	3	7	9	○	○	○	○												
	2	8	8	○	○	○	○												
	1	9	7	○	○	○	○												
16 STEP	A	6	○	○	○	○													
	B	5	○	○	○	○													
	C	4	○	○	○	○													
	D	3	○	○	○	○													
	E	2	○	○	○	○													
	F	1	○	○	○	○													

General tolerance in mm					radii and chamfers			shorter angle side			≡		— //		
over 0.5	over 3	over 6	over 30	over 120	over 400	over 0.5	over 3	over 6	up to	over 10	over 50	all	over 0	over 100	over 150
to 3	to 6	to 30	to 120	to 400	to 1000	to 3	to 6	to 10	to 10	to 50	to 120	all	to 100	to 150	to 150
±0.15	±0.2	±0.25	±0.3	±0.5	±0.8	±0.2	±0.5	±1.0	±1°	±30'	±20'	0.5	0.2	0.3	0.5

8	Cover	Engineering plastic	1	UL94V-0
7	Positioning spring	Stainless steel	1	
6	Seal ring	Silicone	1	
5	Button	Engineering plastic	1	UL94V-0
4	Dustproof spacer	Stainless steel	1	
3	Spring	Copper alloy	1	Gold Plated
2	Base	Engineering plastic	1	UL94V-0
1	Pin	Copper alloy	1	Gold Plated
ITEM	NAME OF PART	NO. OF PART	Q'TY	NOTE

APP.	DATE	NAME	6KF001A-3S16R5-0-7		
CHK.	DATE	DWGNO.			
DWG.	DATE	SHEET	1/1	PROJECTION-METHOD	
UNITS	MM	SCALE	1:1		

**DF** 慈溪市凯峰电子有限公司  
 CIXI KAIFENG ELECTRONICS CO., LTD