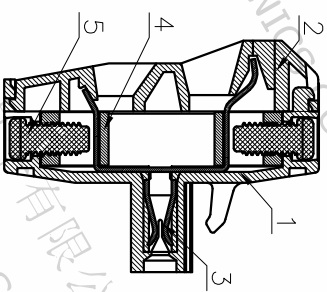
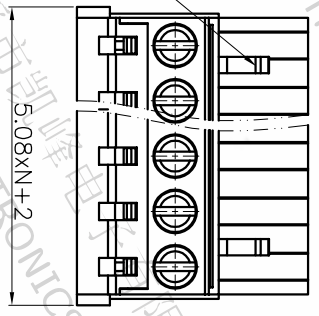
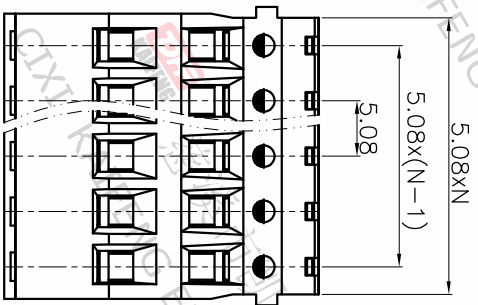
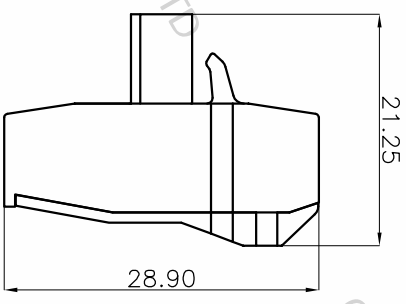


REV.	DESCRIPTION	DATE	DRAFTER	APPROVER
A1	DWG.REL	2020.5.19	ZHANG	JIN

2P: Clasp on the left from this view



HOW TO ORDER
 2KF002-5.08-2*XXP-1 X-XXXXX

MODEL Pitch:mm
 No.of poles: 2~24P

Color: Request
 G:Green R:Red
 K:Black W:White
 O:Orange B:Blue
 GR:Grey

1:Single Pitch
 2:Double Pitch

- RoHS compliance
- Mechanical
 Operating temperature: -40°C~+105°C
 Soldering temperature: 250°C±5/5sec
 Torque: 0.5N.m (4.43lb.in)
 Strip length: 7-8mm
- Electrical
 UL IEC
 Rated voltage : 300V 320V
 Contact current : 15A 20A
 Contact resistance : 20mΩ(Max)
 Insulation resistance : 500MΩ/DC500V
 Withstanding Voltage : AC2000V/1min
 Wire range: 26-12AWG 2.5mm²
- Material
 ①Housing : PA66, UL94V-0
 ②Cover : PA66, UL94V-0
 ③Contact : Copper alloy
 ④Clamp : Copper alloy
 ⑤Screw : M3.0, Steel,Zinc plated

Pitch range	Nominal dimension range	PROJECTION
>0	>0	0.1/10
>6	>30	□
~	~	□
6	100	□
10	150	□
24	>150	□
±0.15	±0.30	±2'
±0.30	±0.50	±2'
±0.50	±0.70	±2'
±1.00	±1.30	±2'

DRAWING TYPE	CUSTOMER DRAWING	SHEET SIZE	TITLE
SCALE	1:1	A4	2KF002-5.08-2*XXP-1X
DRAWING NO.	W10001992	SHEET 1 OF 1	SERIES 2KF002

DFE 慈溪市凯峰电子有限公司
 CIXI KAIFENG ELECTRONICS CO.,LTD