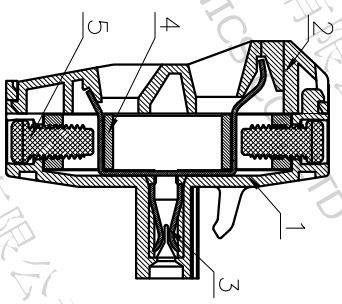
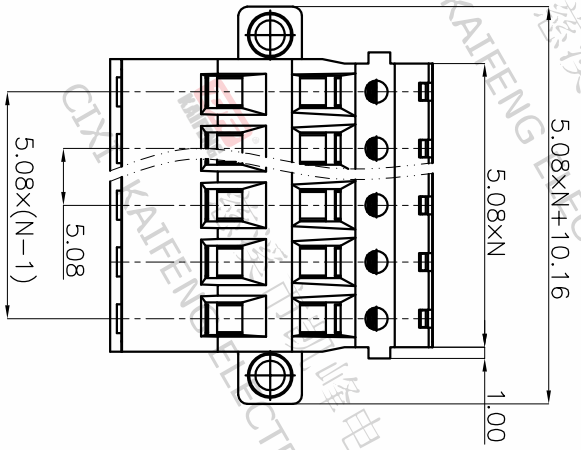
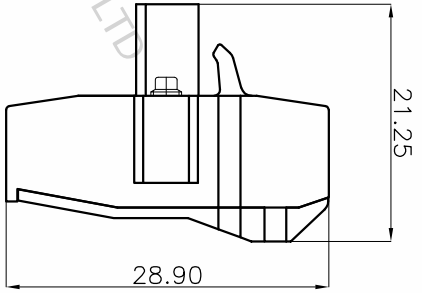
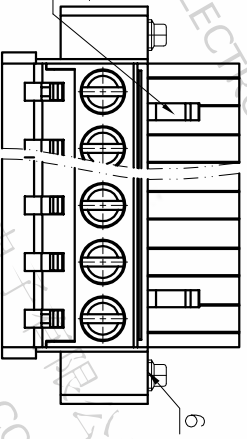


REV.	DESCRIPTION	DATE	DRAFTER	APPROVER
A1	DWG.REL	2020.5.19	ZHANG	JIN

2P: Clasp on the left from this view



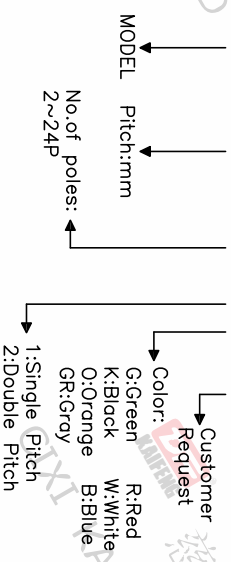
- Material
 - ①Housing : PA66, UL94V-0
 - ②Cover : PA66, UL94V-0
 - ③Contact : Copper alloy
 - ④Clamp : Copper alloy
 - ⑤Screw : M3.0, Steel, Zinc plated
 - ⑥Screw : M2.5, Steel, Zinc plated

- Electrical IEC
 - Rated voltage : 300V 320V
 - Rated current : 15A 20A
 - Contact resistance : 20mΩ(Max)
 - Insulation resistance: 500MΩ/DC500V
 - Withstanding Voltage : AC2000V/1min
 - Wire range: 26-12AWG 2.5mm²

- Mechanical
 - Operating temperature: -40°C~+105°C
 - Soldering temperature: 250°C±5/5sec
 - Torque: 0.5N.m (4.43lb.in)
 - Strip length: 7-8mm

• RoHS compliance

HOW TO ORDER
2KF002M-5.08-2*XXP-1 X-XXXXX



Pitch range	Nominal dimension range	0.1/10	±2°
>0 ~ 6	>0 ~ 10	0.1/10	±2°
~ 10 ~ 24	~ 30 ~ 60	0.1/10	±2°
~ 24 ~ 30	~ 60 ~ 100	0.1/10	±2°
~ 30 ~ 30	~ 100 ~ 150	0.1/10	±2°
±0.15 ±0.20 ±0.30	±0.30 ±0.50 ±0.70 ±1.00 ±1.30	0.1/10	±2°

DRAWING TYPE	CUSTOMER DRAWING	SCALE	1:1	SHEET	1 OF 1
DRAWING NO.	W10001982				

DF 慈溪市凯峰电子有限公司
CIXI KAIFENG ELECTRONICS CO.,LTD