

REV.	DESCRIPTION	DATE	DRAFTER	APPROVER
A1	DWG.REL	2020.05.23	LIUZH	JIN

- Material
 ØScrews : M3.0 steel, Ni plated
 ØTerminal : Brass, Ni plated
 ØHousing : PA66,UL94V-0

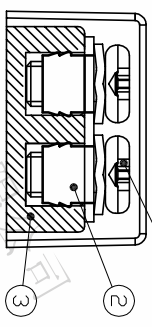
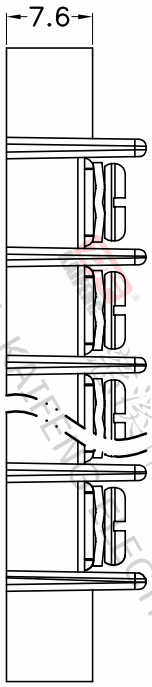
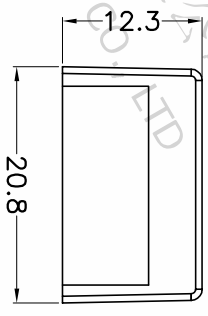
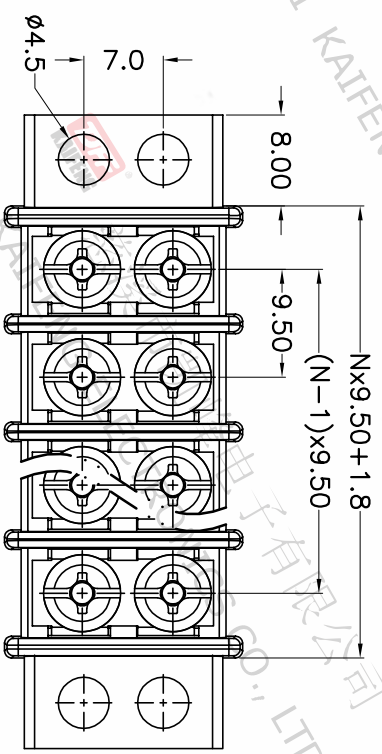
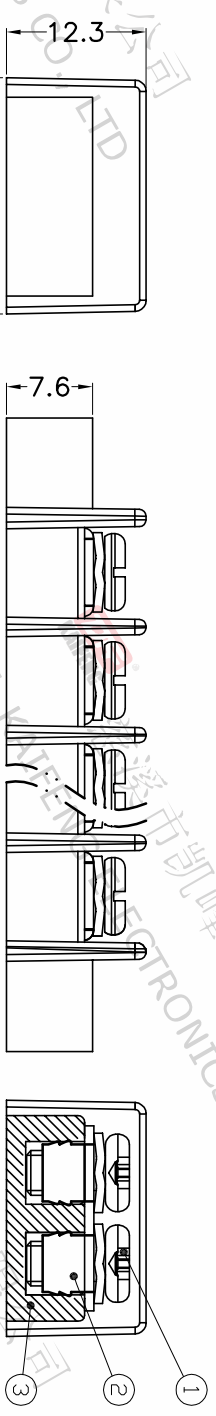
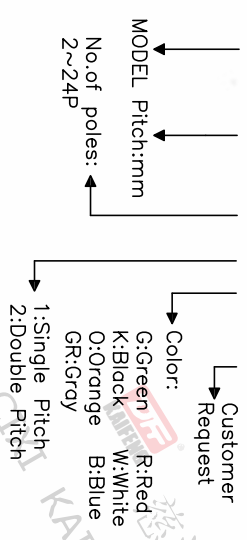
- Electrical
 IEC
 Rated voltage : 300V 250V
 Rated current : 20A 41A
 Contact resistance : 20mΩ(Max)
 Insulation resistance: 500MΩ/DC500V
 Withstanding Voltage : AC2000V/1min
 Wire range : 22-12AWG 4.0mm²

- Mechanical
 Operating temperature: -40℃~+105℃
 Soldering temperature:250℃±5/5sec
 Torque: 0.5N.m (4.43Lb.in)

• RoHS compliance

HOW TO ORDER

KF-14-9.5-XXP-1 X-XXXXX



Pitch range	Nominal dimension range	0.1/10	±2°
>0	>0	0.1/10	±2°
>6	>10	0.1/10	±2°
~	~	~	~
6	10	24	30
±0.15	±0.20	±0.30	±0.30
		±0.50	±0.70 ±1.00 ±1.30

DRAWING TYPE	CUSTOMER DRAWING
SCALE	1:1 SHEET 1 OF 1

DRAWING NO.	W12001142
-------------	-----------

PROJECTION	UNIT	TITLE
mm	A4	KF-14-9.5-XXP-1X
SHEET SIZE	SERIES	KF-14

DF 慈溪市凯峰电子有限公司
 CIXI KAIFENG ELECTRONICS CO.,LTD

