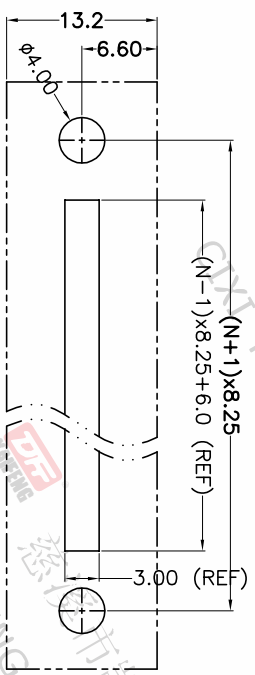
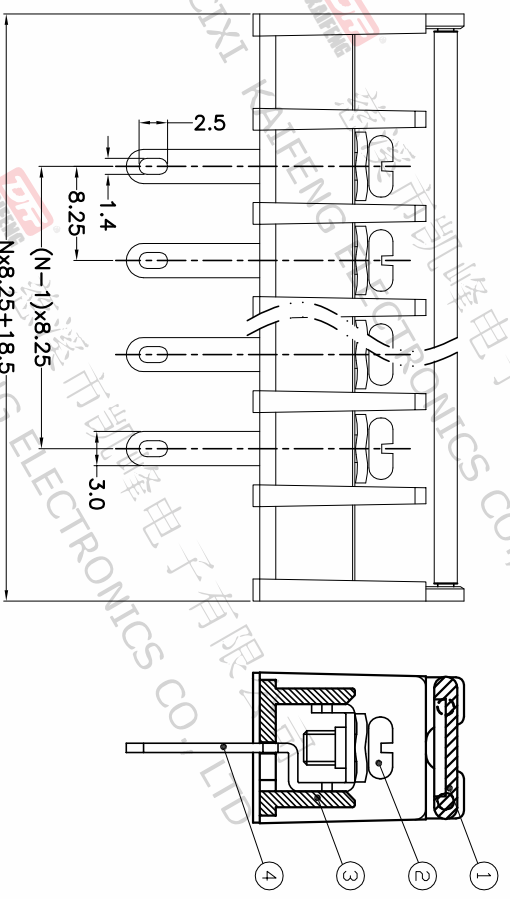
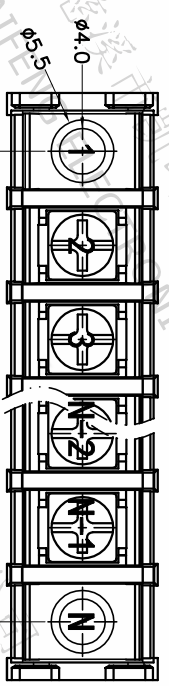


REV.	DESCRIPTION	DATE	DRAFTER	APPROVER
A1	DWG.REL	2020.05.20	LIUZH	JIN



P.C.B.LAYOUT

Pitch range	Nominal dimension range	PROJECTION	UNIT
>0	>30	0.1/10	mm
>6	>100		
~	~		
6	10		
10	24		
~	~		
24	30		
~	~		
30	60		
~	~		
60	100		
~	~		
100	150		
~	~		
150	~150		
±2°	±2°		
±0.15	±0.20		
±0.30	±0.30		
±0.50	±0.50		
±0.70	±1.00		
±1.30	±1.30		

DRAWING TYPE	CUSTOMER DRAWING
SCALE	1:1
SHEET	1 OF 1
DRAWING NO.	W12000602

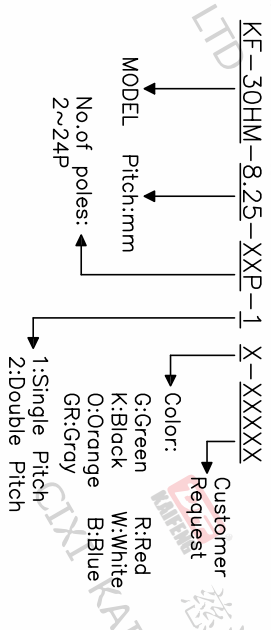
- Material
 - ØCover : PC
 - ØScrews : M3.0 steel, Ni plated
 - ØHousing : PA66,UL94V-0
 - ØTerminal : Brass, Tin plated

- Electrical
 - UL IEC
 - Rated voltage : 300V 450V
 - Rated current : 20A 24A
 - Contact resistance : 20mΩ(Max)
 - Insulation resistance : 500MΩ/DC500V
 - Withstanding Voltage : AC2000V/1min
 - Wire range : 22-12AWG 2.5mm²

- Mechanical
 - Operating temperature: -40°C ~ +105°C
 - Soldering temperature: 250°C ±5/5sec
 - Torque: 0.5N.m (4.43Lb.in)

• RoHS compliance

HOW TO ORDER



TITLE	SHEET SIZE	SERIES
KF-30HM-8.25-XXP-1X	A4	KF-30HM

DF 慈溪市凯峰电子有限公司
CIXI KAIFENG ELECTRONICS CO.,LTD