

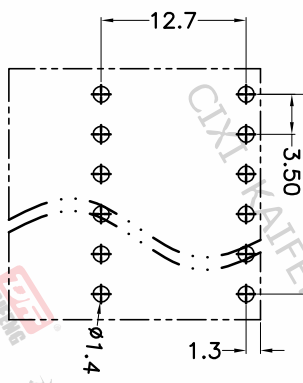
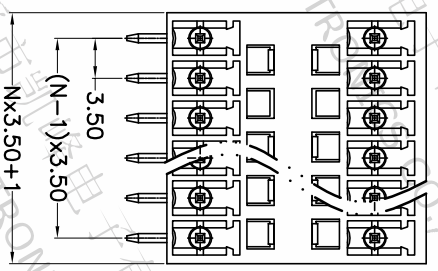
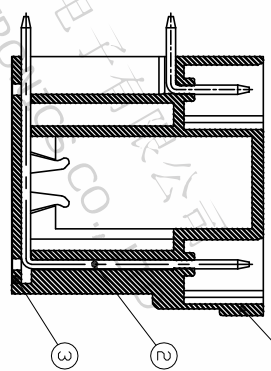
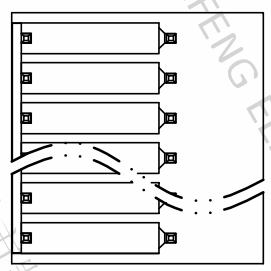
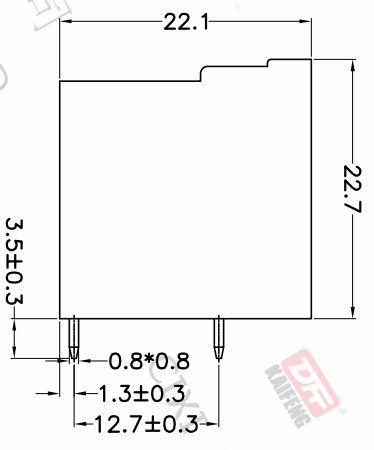
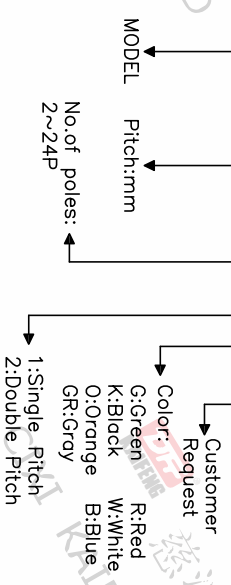
REV.	DESCRIPTION	DATE	DRAFTER	APPROVER
A1	DWG.REL	2020.5.20	ZHANG	JIN

- Material
 ØHousing : PA66, UL94V-0
 ØPin header : Copper alloy, Tin plated
 ØCover : PA66, UL94V-0

- Electrical
 UL IEC
 Rated voltage : 300V 250V
 Rated current : 8A 7A
 Contact resistance : 20mΩ(Max)
 Insulation resistance: 500MΩ/DC500V
 Withstanding Voltage : AC1500V/1min

- Mechanical
 Operating temperature: -40°C~+105°C
 Soldering temperature:250°C±5/5sec
- RoHS compliance

HOW TO ORDER
 KF1025R-3.5-2*XXP-1 X-XXXXX



P.C.B. LAYOUT

Pitch range	Nominal dimension range	PROJECTION
>0	>0	0.1/10
~6	~30	≤
~10	~60	±2°
~24	~100	
~30	~150	
±0.15	±0.30	
±0.20	±0.50	
±0.30	±0.70	
±0.50	±1.00	
±1.00	±1.30	

DRAWING TYPE	CUSTOMER DRAWING
SCALE	1:1
SHEET	1 OF 1
DRAWING NO.	W10001742

PROJECTION	UNIT	TITLE
mm	mm	KF1025R-3.5-2*XXP-1X
A4	A4	SERIES KF1025R

DF 慈溪市凯峰电子有限公司
 CIXI KAIFENG ELECTRONICS CO.,LTD