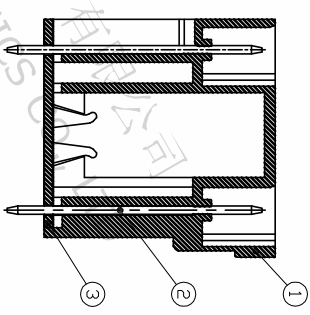
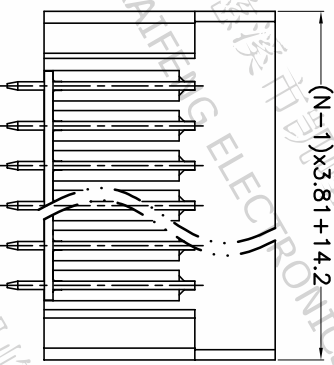
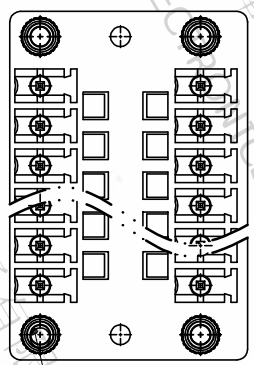


REV.	DESCRIPTION	DATE	DRAFTER	APPROVER
A1	DWG.REL	2020.5.20	ZHANG	JIN



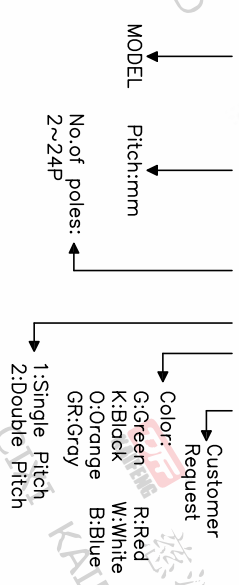
- Material
 - ØHousing : PA66, UL94V-0
 - ØPin header : Copper alloy, Tin plated
 - ØCover : PA66, UL94V-0
 - ØNut : M2.5,Copper alloy

- Electrical
 - UL IEC
 - Rated voltage : 300V 250V
 - Rated current : 8A 7A
 - Contact resistance : 20mΩ(Max)
 - Insulation resistance: 500MΩ/DC500V
 - Withstanding Voltage : AC1500V/1min

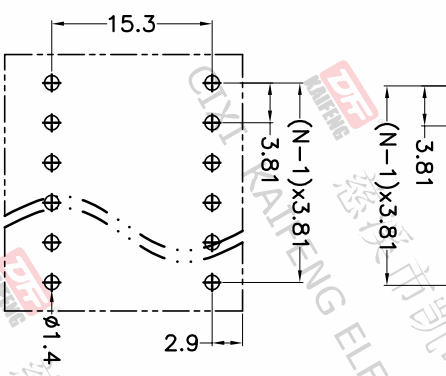
- Mechanical
 - Operating temperature:-40℃~+105℃
 - Soldering temperature:250℃±5/5sec

• RoHS compliance

HOW TO ORDER
KF1025VM-3.81-2*XXP-1 X-XXXXX



P.C.B.LAYOUT



Pitch range	Nominal dimension range	PROJECTION	UNIT	TITLE
>0	>0	0.1/10	mm	KF1025VM-3.81-2*XXP-1X
>6	>30			
>10	>60			
~6	~100			
~10	~150			
~24	~300			
±0.15	±0.30	±2°		
±0.20	±0.50			
±0.30	±0.70			
±1.00	±1.30			

DRAWING TYPE	CUSTOMER DRAWING	SHEET	1 OF 1
SCALE	1:1	SHEET	1 OF 1
DRAWING NO.	W10001692		

DF 慈溪市凯峰电子有限公司
CIXI KAIFENG ELECTRONICS CO.,LTD