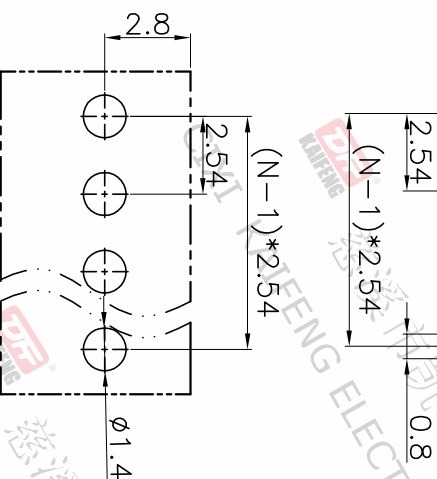
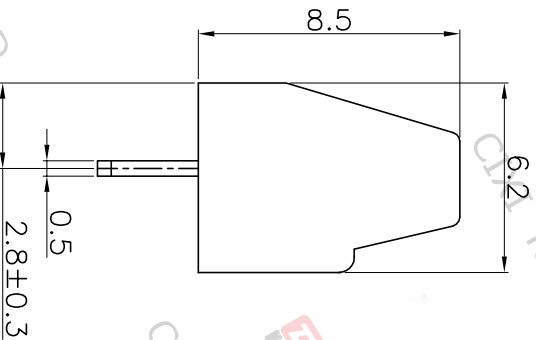
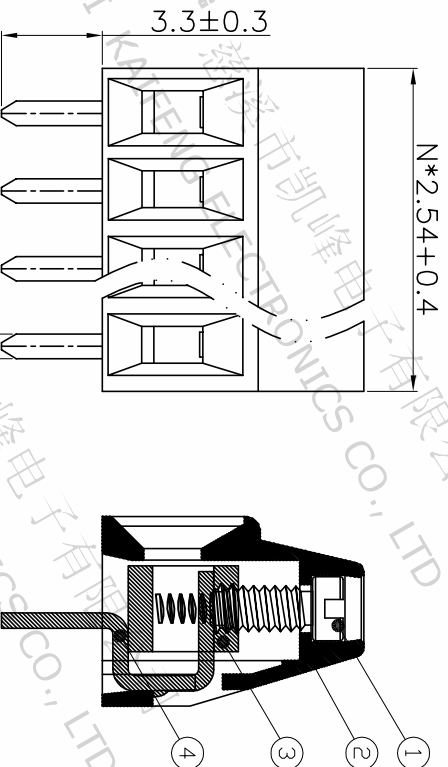
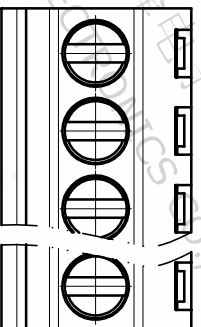


REV.	DESCRIPTION	DATE	DRAFTER	APPROVER
A1	DWG.REL	2020.05.19	DENG	JIN



• Material

- Screws : M1.6 steel, Zinc plated,
* slot type
- Housing : PA66, UL94V-0
- Clamp : Copper alloy, Ni plated
- Pin header : Copper alloy, Tin plated

• Electrical

- UL IEC
- Rated voltage : 150V 130V
- Rated current : 6A 8A
- Contact resistance : 20mΩ(Max)
- Insulation resistance: 500MΩ/1000V
- Withstanding Voltage : AC1500V/1min
- Wire range: 26-18AWG 1.0mm²

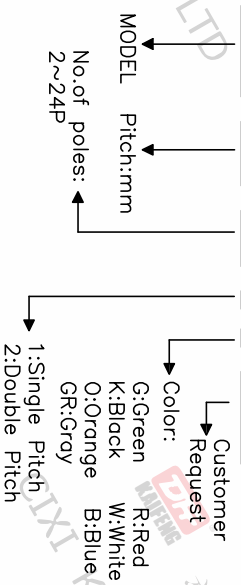
• Mechanical

- Operating temperature: -40°C~+105°C
- Soldering temperature: 250°C±5/5sec
- Torque: 0.1N.m (0.89l.b.in)
- Strip length: 3.7-4.7mm

• RoHS compliance

HOW TO ORDER

KF120-2.54-XXP-1 X-XXXXX



P.C.B.LAYOUT

Pitch range	Nominal dimension range	Projection	UNIT
>0	>10	>0	mm
~6	~10	0.1/10	
~10	~24	<=	
±0.15	±0.20	±2°	
±0.30	±0.30		
±0.50	±0.50		
±0.70	±1.00		
±1.30	±1.30		

DRAWING TYPE	CUSTOMER DRAWING	SHEET	1 OF 1
SCALE	1:1	SHEET	1 OF 1
DRAWING NO.	W15000362		

PROJECTION	TITLE
UNIT	KF120-2.54-XXP-1X
SHEET SIZE	A4
SERIES	KF120

KF 慈溪市凯峰电子有限公司
CIXI KAIFENG ELECTRONICS CO.,LTD