

REV.	DESCRIPTION	DATE	DRAFTER	APPROVER
A1	DWG.REL	2020.05.21	DENG	JIN

- Material
 ①Screws : M3.0 steel, Zinc plated,
 ②slot type
 ③Housing : PA66, UL94V-0
 ④Clamp : Copper alloy, Ni plated
 ⑤Pin header : Copper alloy, Tin plated

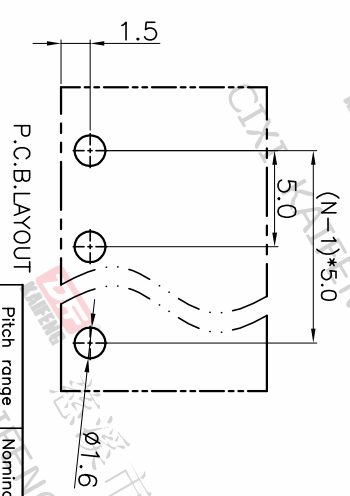
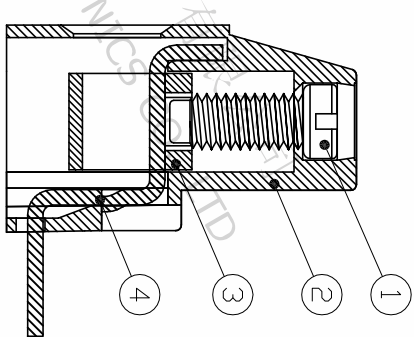
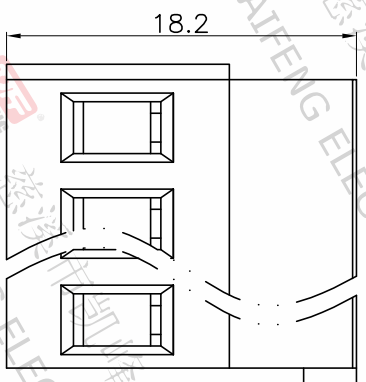
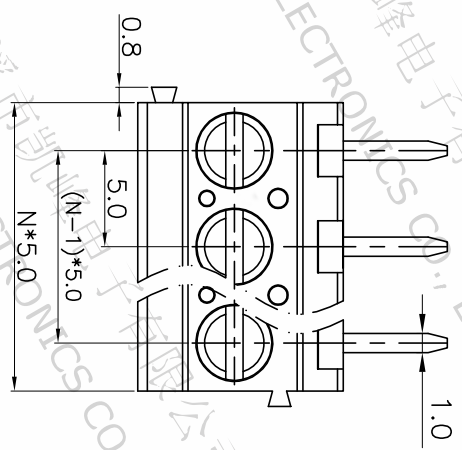
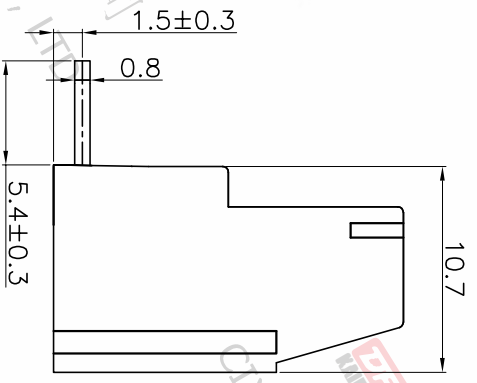
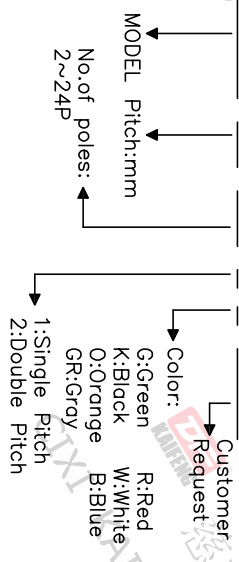
- Electrical UL IEC
 Rated voltage : 300V 250V
 Rated current : 20A 20A
 Contact Resistance: 20mΩ
 Insulation resistance: 500MΩ/DC500V
 Withstanding Voltage : AC2000V/1min
 Wire range: 24-12AWG 4.0mm²

- Mechanical
 Operating temperature: -40℃~+105℃
 Soldering temperature: 250℃±5/5sec
 Torque: 0.8N.m (7.02Lb.in)
 Strip length: 6-7mm

• RoHS compliance

HOW TO ORDER

KF129R-5.0-XXP-1 X-XXXXX



Pitch range	Nominal dimension range	Projection
>0	>0	0.1/10
~6	~30	~
~10	~60	~
~24	~100	~
~30	~150	~
±0.15	±0.30	±2°
±0.20	±0.30	±2°
±0.30	±0.50	±2°
±0.70	±1.00	±2°
±1.30	±1.30	±2°

DRAWING TYPE	CUSTOMER DRAWING
SCALE	1:1
SHEET	1 OF 1
DRAWING NO.	W15000632

PROJECTION	UNIT	TITLE
1st Angle	mm	KF129R-5.0-XXP-1X
SHEET SIZE	A4	SERIES KF129

DF 慈溪市凯峰电子有限公司
 CIXI KAIFENG ELECTRONICS CO.,LTD