

REV.	DESCRIPTION	DATE	DRAFTER	APPROVER
A1	DWG.REL	2020.5.20	ZHANG	JIN

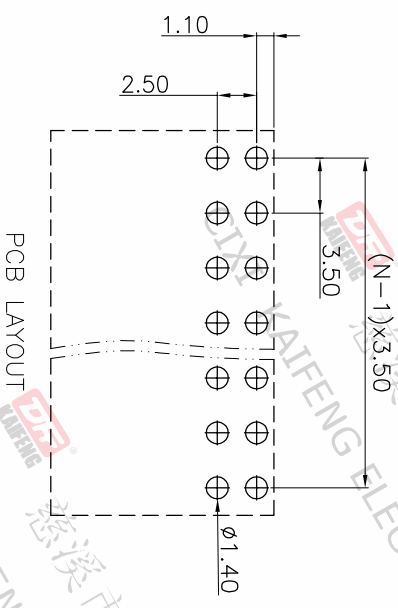
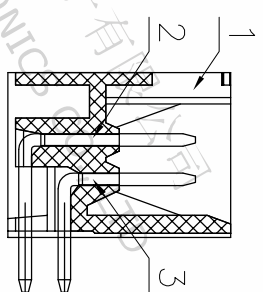
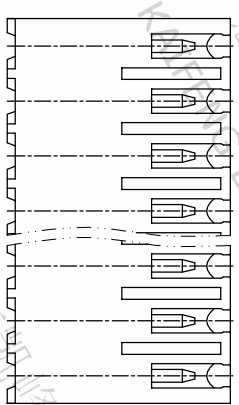
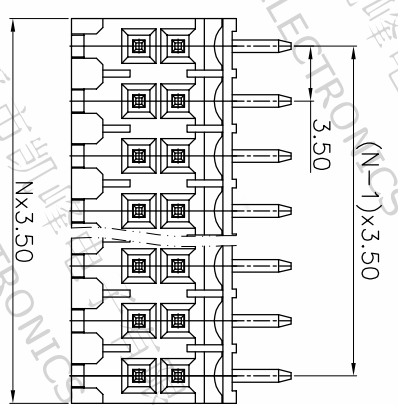
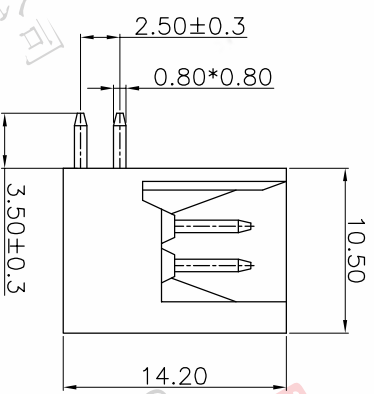
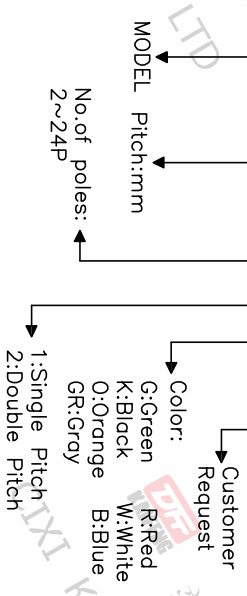
- Material
 @Housing : PA66, UL94V-0
 @Long Pin: Copper alloy, Tin plated
 @Short Pin: Copper alloy, Tin plated

- Electrical
 UL IEC
 Rated voltage : 300V 320V
 Rated current : 10A 13.4A
 Contact resistance : 20mΩ(Max)
 Insulation resistance: 500MΩ/DC500V
 Withstanding Voltage : AC1600V/1min

- Mechanical
 Operating temperature: -40°C~+105°C
 Soldering temperature: 250°C±5/5sec
- RoHS compliance

HOW TO ORDER

KF12EDR-3.5-2*XXP-1 X-XXXXX



Pitch range	Nominal dimension range	PROJECTION
>0	>30	0.1/10
~6	~60	∠
~10	~100	∠
~24	~150	∠
±0.15	±0.30	±2°

DRAWING TYPE	CUSTOMER DRAWING
SCALE	1:1
SHEET	1 OF 1
DRAWING NO.	W10001022

UNIT	TITLE
mm	KF12EDR-3.5-2*XXP-1X
SHEET SIZE	SERIES
A4	KF12EDR

DF 慈溪市凯峰电子有限公司
 CIXI KAIFENG ELECTRONICS CO.,LTD