

REV.	DESCRIPTION	DATE	DRAFTER	APPROVER
A1	DWG.REL	2020.6.10	ZHANG	JIN

- Material
 - ⊙Button : PA66, UL94V-0
 - ⊙Housing : PA66, UL94V-0
 - ⊙Reed : Stainless steel
 - ⊙Contact : Copper alloy,Tin plated
 - ⊙Cover : PA66, UL94V-0
 - ⊙Screw : M2.5 steel,Zinc plated

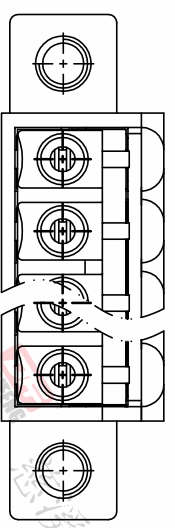
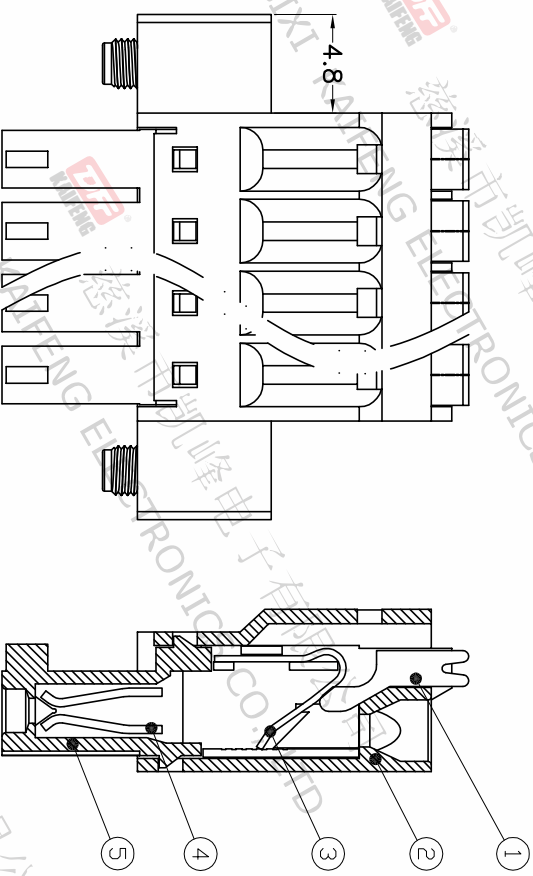
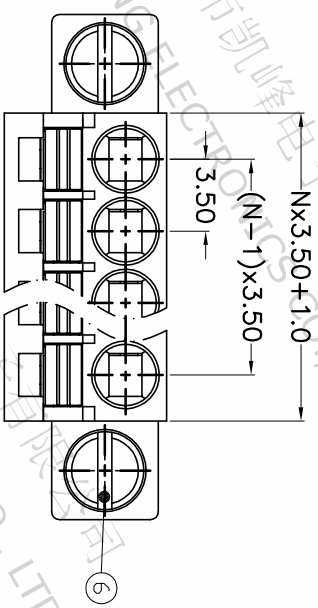
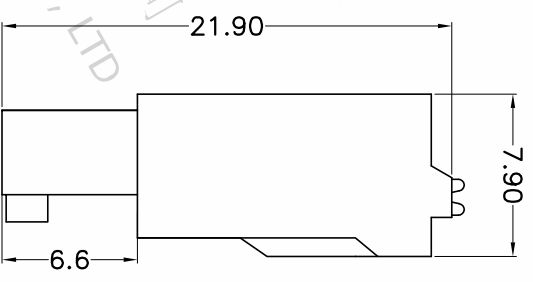
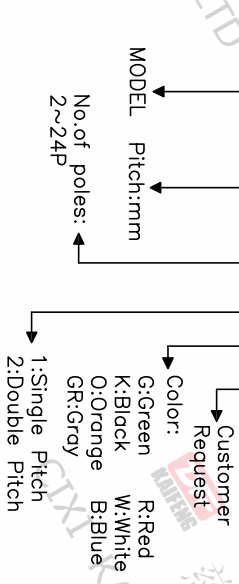
- Electrical

UL	IEC
Rated voltage : 300V	250V
Rated current : 8A	7A
Contact resistance : 20mΩ(Max)	
Insulation resistance: 500MΩ/DC500V	
Withstanding Voltage : AC1500V/1min	
Wire range: 24-16AWG 0.5-1.5mm ²	

- Mechanical
 - Operating temperature: -40℃~+105℃
 - Soldering temperature:250℃±5/5sec
 - Strip length: 8-9mm

• RoHS compliance

HOW TO ORDER
KF12EKNM-3.5-XXP-1 X-XXXXX



Pitch range	Nominal dimension range	PROJECTION	UNIT
>0	>10	□	mm
~6	~10	□	mm
~10	~24	□	mm
±0.15	±0.20	□	mm
±0.30	±0.30	□	mm
±0.50	±0.50	□	mm
±0.70	±1.00	□	mm
±1.30	±1.30	□	mm
	±2°	□	°

DRAWING TYPE	CUSTOMER DRAWING
SCALE	1:1
SHEET	1 OF 1
DRAWING NO.	W10001262

TITLE	SHEET SIZE	SERIES
KF12EKNM-3.5-XXP-1X	A4	KF12EKNM

DF 慈溪市凯峰电子有限公司
CIXI KAIFENG ELECTRONICS CO.,LTD