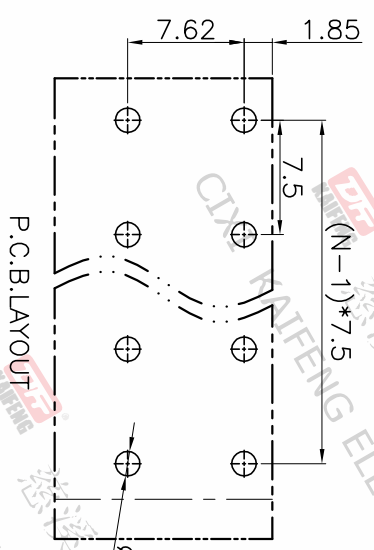
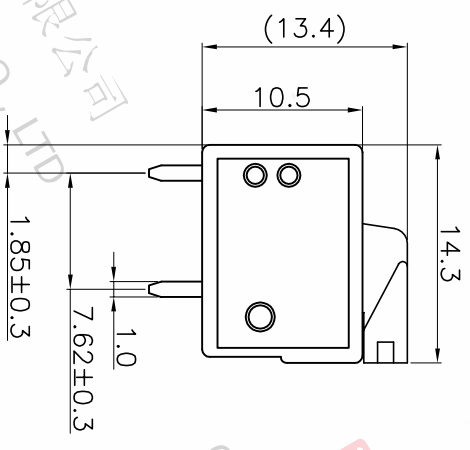
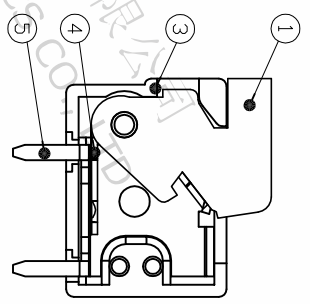
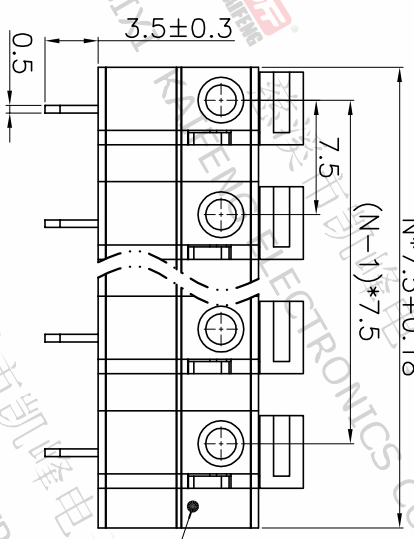
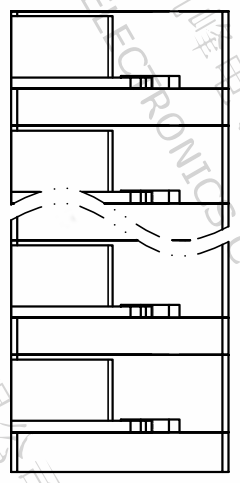


REV.	DESCRIPTION	DATE	DRAFTER	APPROVER
A1	DWG.REL	2020.05.27	DENG	JIN



• Material

- ①Button : PA66, UL94V-0
- ②Cover : PA66, UL94V-0
- ③Housing : PA66, UL94V-0
- ④Reed : Stainless steel
- ⑤Pin header : Copper alloy, Tin plated

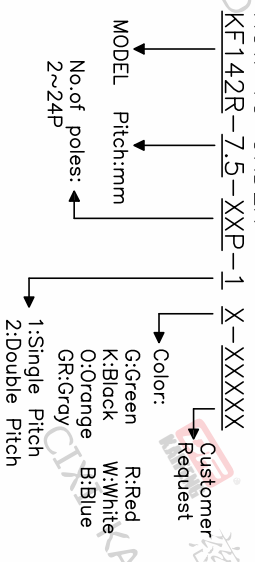
• Electrical UL IEC

- Rated voltage : 300V 450V
- Rated current : 10A 15A
- Contact resistance : 20mΩ(Max)
- Insulation resistance: 500MΩ/DC500V
- Withstanding Voltage : AC2000V/1min
- Wire range: 22-14AWG 1.5mm²

- Mechanical
- Operating temperature: -40°C~+105°C
- Soldering temperature:250°C±5/5sec
- Strip length: 10mm

• RoHS compliance

HOW TO ORDER



Pitch range	Nominal dimension range	PROJECTION
>0	>30	0.1/10
~6	~>60	≤
~10	~>100	±2°
~24	~>150	
±0.15	±0.30	
±0.20	±0.30	
±0.30	±0.50	
±0.70	±1.00	
±1.30	±1.30	

DRAWING TYPE	CUSTOMER DRAWING
SCALE	1:1
SHEET	1 OF 1
DRAWING NO.	W11000171

TITLE	PROJECTION	UNIT	SHEET SIZE	SERIES
KF142R-7.5-XXP-1X	1st Angle	mm	A4	KF142

DF 慈溪市凯峰电子有限公司
CIXI KAIFENG ELECTRONICS CO.,LTD