

REV.	DESCRIPTION	DATE	DRAFTER	APPROVER
A1	DWG.REL	2020.6.02	ZHANG	JIN

- Material
  - ①Screw : M3.0 steel, Zinc plated; \*- slot type
  - ②Housing : PA66, UL94V-0
  - ③Contact : Copper alloy, Tin plated
  - ④Clamp : Copper alloy, Ni plated
  - ⑤Cover : PA66, UL94V-0

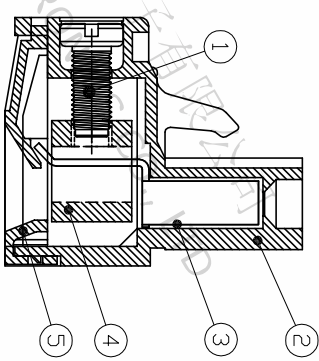
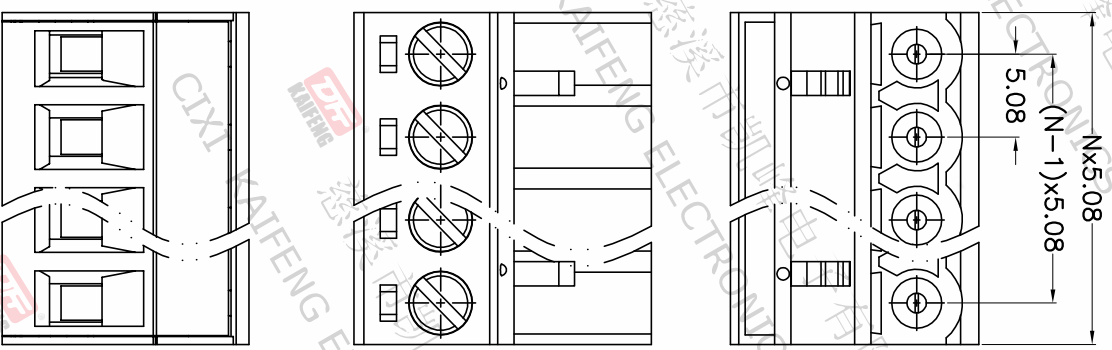
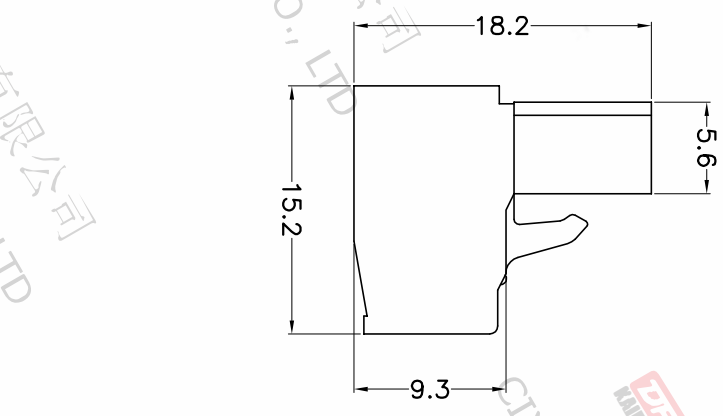
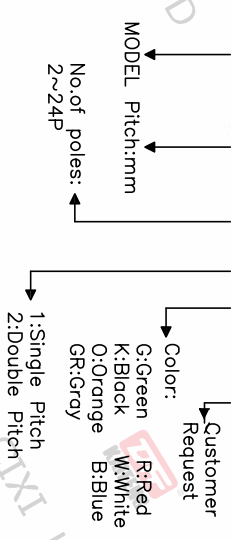
- Electrical
  - UL IEC
  - Rated voltage : 300V 320V
  - Rated current : 15A 20A
  - Contact resistance : 20mΩ(Max)
  - Insulation resistance: 500MΩ/DC500V
  - Withstanding Voltage : AC2000V/1min
  - Wire range: 28-12AWG 2.5mm<sup>2</sup>

- Mechanical
  - Operating temperature: -40°C~+105°C
  - Soldering temperature: 250°C±5/5sec
  - Torque: 0.5N.m (4.43lb.in)
  - Strip length: 7-8mm

• RoHS compliance

HOW TO ORDER

KF222-5.08-XXP-1 X-XXXXX



Pitch range	Nominal dimension range	PROJECTION	UNIT
>0	>0	0.1/10	mm
~6	~30		
~10	~60		
~24	~100		
~30	~150		
±0.15	±0.30	±2°	
±0.20	±0.30		
±0.30	±0.50		
±0.70	±1.00		
±1.30	±1.30		

DRAWING TYPE	CUSTOMER DRAWING
SCALE	1:1
SHEET	1 OF 1
DRAWING NO.	W10001572

TITLE	SHEET SIZE	SERIES
KF222-5.08-XXP-1X	A4	KF222

**DFE** 慈溪市凯峰电子有限公司  
CIXI KAIFENG ELECTRONICS CO.,LTD

