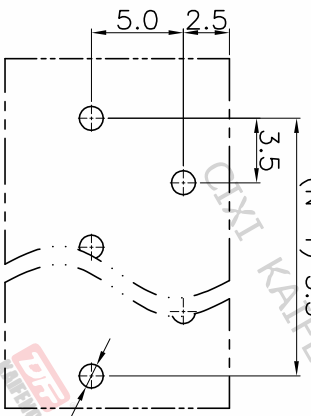
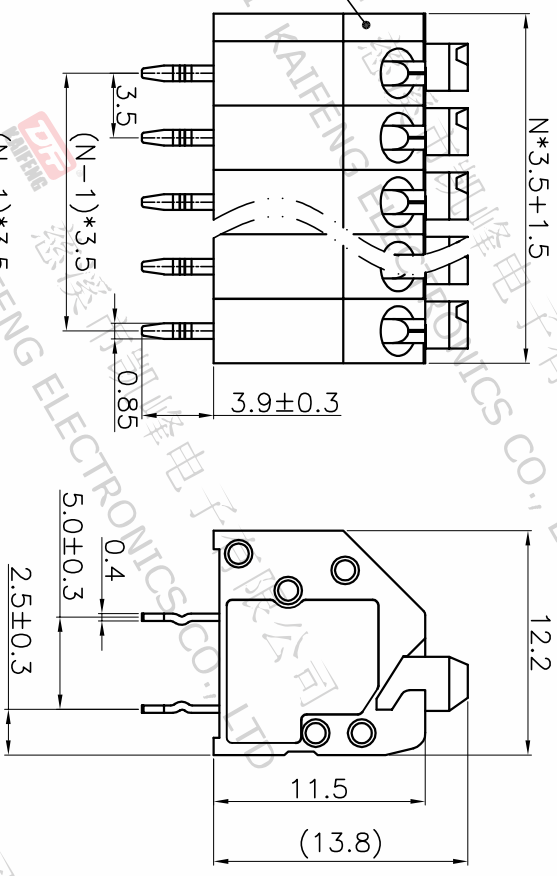
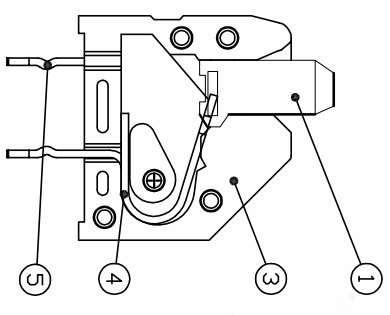
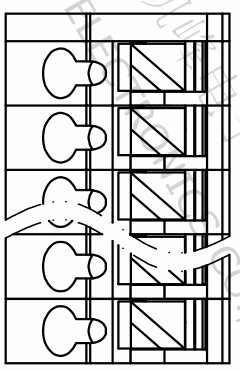


REV.	DESCRIPTION	DATE	DRAFTER	APPROVER
A1	DWG.REL	2020.05.25	DENG	JIN



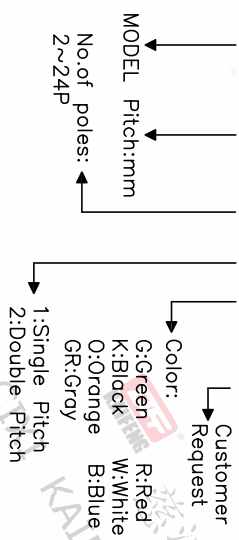
P.C.B. LAYOUT

Pitch range	Nominal dimension range	PROJECTION	UNIT
>0	>0	0.1/10	mm
~6	~30		
~10	~60		
~24	~100		
~30	~150		
±0.15	±0.30	±2°	
±0.20	±0.50		
±0.30	±0.70		
±1.00	±1.30		

DRAWING TYPE	CUSTOMER DRAWING	SHEET	1 OF 1
SCALE	1:1	SHEET	1 OF 1
DRAWING NO.	W11000062		
TITLE	KF250A-3.5-XXP-1X		
SHEET SIZE	A4		
SERIES	KF250		

DF 慈溪市凯峰电子有限公司
CIXI KAIFENG ELECTRONICS CO.,LTD

HOW TO ORDER
KF250A-3.5-XXP-1 X-XXXXX



- Material
 - ①Button : PA66, UL94V-0
 - ②Cover : PA66, UL94V-0
 - ③Housing : PA66, UL94V-0
 - ④Pin header A: Copper alloy, Tin plated
 - ⑤Pin header B: Copper alloy, Tin plated
- Electrical
 - UL IEC
 - Rated voltage : 300V 250V
 - Rated current : 7A 8A
 - Contact resistance : 20mΩ(Max)
 - Insulation resistance : 500MΩ/DC500V
 - Withstanding Voltage : AC2000V/1min
 - Wire range : 24-18AWG 0.75mm²
- Mechanical
 - Operating temperature: -40°C~+105°C
 - Soldering temperature: 250°C±5/5sec
 - Strip length: 8-9mm
- RoHS compliance