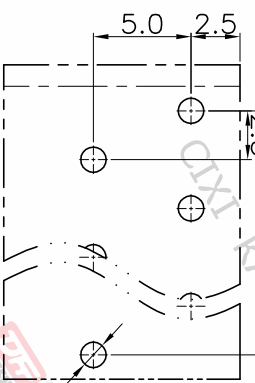
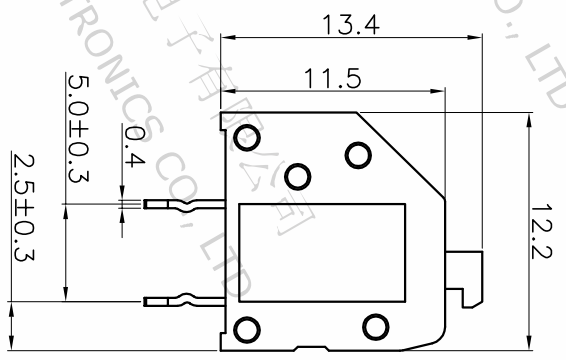
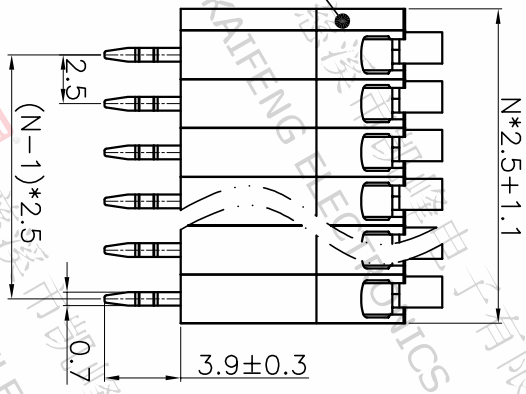
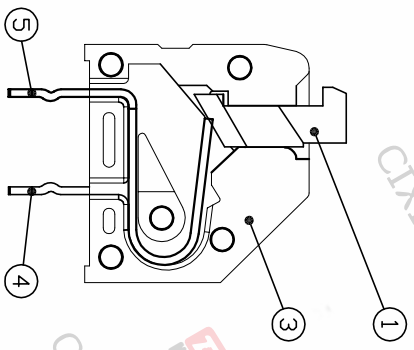
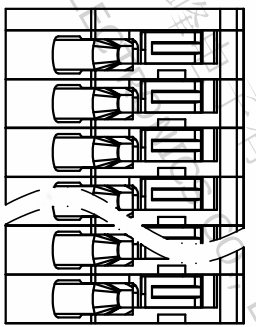


REV.	DESCRIPTION	DATE	DRAFTER	APPROVER
A1	DWG.REL	2020.05.28	DENG	JIN



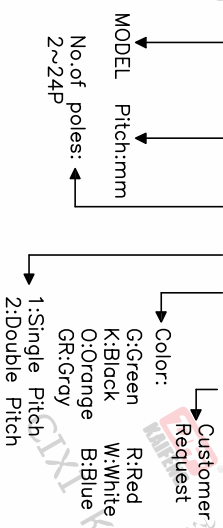
P.C.B. LAYOUT

Pitch range	Nominal dimension range	Projection	UNIT
>0	>0	0.1/10	mm
>6	>30		
>10	>60		
~	~		
6	30		
10	60		
24	100		
	150		
±0.15	±0.30	±2°	
±0.20	±0.30		
±0.30	±0.50		
±0.70	±1.00		
±1.30	±1.30		

DRAWING TYPE	CUSTOMER DRAWING
SCALE	1:1
SHEET	1 OF 1
DRAWING NO.	W11000332

- Material
 - ØButton : PA66, UL94V-0
 - ØCover : PA66, UL94V-0
 - ØHousing : PA66, UL94V-0
 - ØPin header A:Copper alloy, Tin plated
 - ØPin header B:Copper alloy, Tin plated
- Electrical
 - UL IEC
 - Rated voltage : 300V 250V
 - Rated current : 7A 6A
 - Contact resistance : 20mΩ(Max)
 - Insulation resistance: 500MΩ/DC500V
 - Withstanding Voltage : AC2000V/1min
 - Wire range: 24-18AWG 0.5mm²
- Mechanical
 - Operating temperature:-40°C~+105°C
 - Soldering temperature:250°C±5/5sec
 - Strip length: 8-9mm
- RoHS compliance

HOW TO ORDER
KF250B-2.5-XXP-1 X-XXXXX



PROJECTION	TITLE
UNIT	KF250B-2.5-XXP-1X
SHEET SIZE	A4
SERIES	KF250

DF 慈溪市凯峰电子有限公司
CIXI KAIFENG ELECTRONICS CO.,LTD