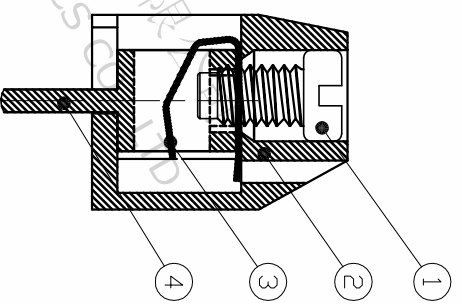
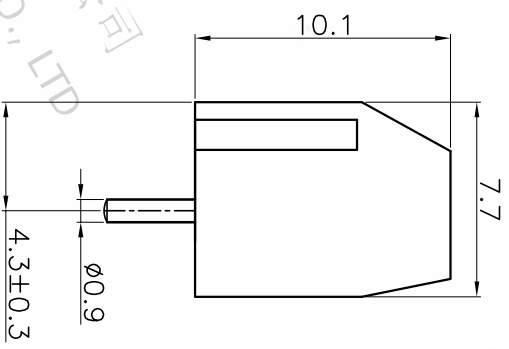
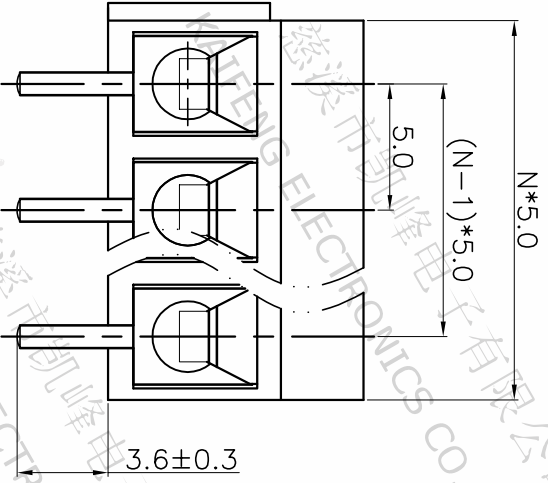
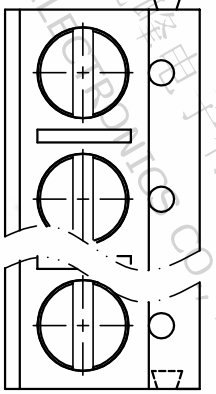


REV.	DESCRIPTION	DATE	DRAFTER	APPROVER
A1	DWG.REL	2020.05.17	DENG	JIN



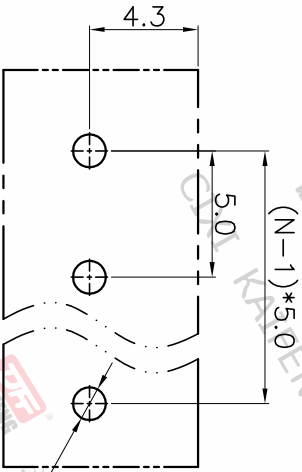
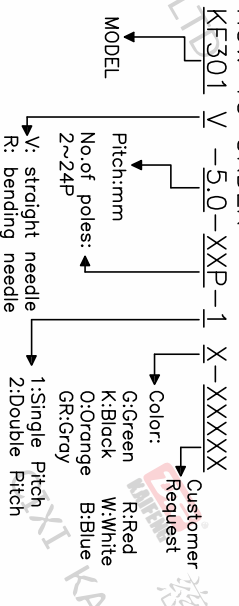
- Material
 ØScrews : M2.5 steel, Zinc plated,
 - slot type
 ØHousing : PA66, UL94V-0
 ØReed : Copper alloy, Ni plated
 or stainless steel
 ØPin header : Copper alloy, Tin plated

- Electrical UL IEC
 Rated voltage : 300V 250V
 Rated current : 12A 17.5A
 Contact resistance : 20mΩ(Max)
 Insulation resistance : 500MΩ/DC500V
 Withstanding Voltage : AC2000V/1min
 Wire range : 22-14AWG 2.5mm²

- Mechanical
 Operating temperature: -30°C ~ +120°C
 Soldering temperature: 250°C ±5/5sec
 Torque: 0.4N.m (3.54lb.in)
 Strip length: 4.5-5mm

• RoHS compliance

HOW TO ORDER



P.C.B.LAYOUT

Pitch range	Nominal dimension range	PROJECTION
>0	>30	0.1/10
~6	~60	≤
~10	~100	±Z
~24	~150	
±0.15	±0.30	
±0.20	±0.50	
±0.30	±0.70	
	±1.00	
	±1.30	

DRAWING TYPE	CUSTOMER DRAWING
SCALE	1:1
SHEET	1 OF 1
DRAWING NO.	W15000132

PROJECTION	UNIT	TITLE
mm	A4	KF301V-5.0-XXP-1X
SHEET SIZE	SERIES	
	KF301	

DF 慈溪市凯峰电子有限公司
 CIXI KAIFENG ELECTRONICS CO.,LTD